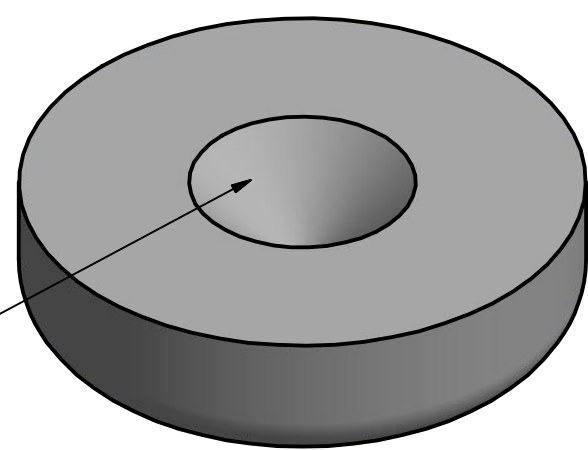
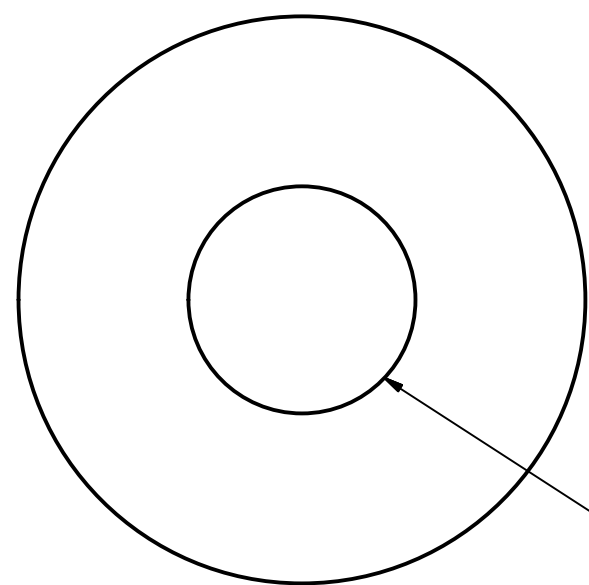


6 1 5 1 4 3 1 2 1 1

D

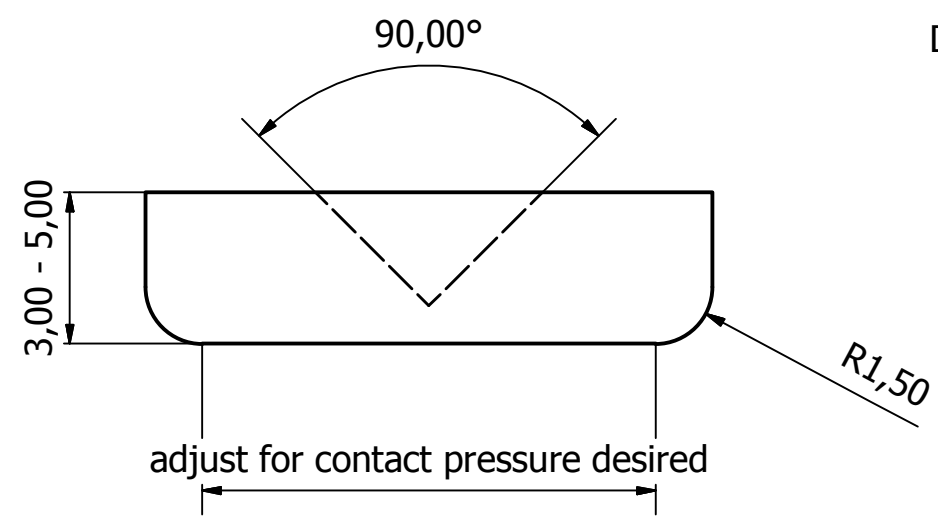
D



Note as well as the angular (conical) contact,
the self-aligning can be achieved with spherical interface.
Design for \varnothing 6 mm ball pivot.

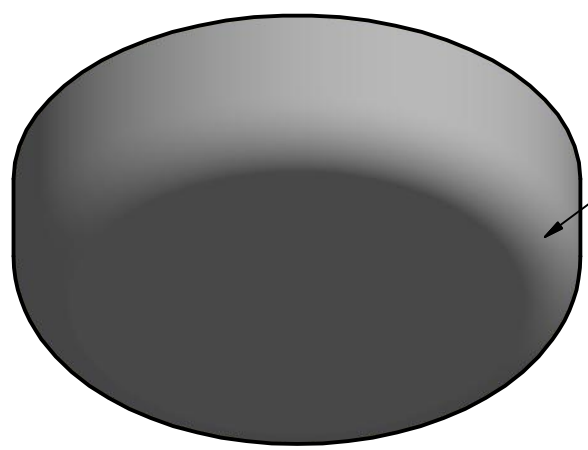
C

C



B

B



the large radius avoid digging-in
(cutting action) on soft materials

A

A

UNLESS OTHERWISE STATED:
1. ALL DIMENSIONS IN MILLIMETRES
2. TOLERANCES: 0.2 mm
3. SURFACE FINISH: GROUND
REMOVE ALL SHARP EDGES

Designed by harveyt	Drawn by harveyt	Material	Date 08/08/2017
 National Centre for Advanced Tribology at Southampton		Title Large radius button for polymer tribology	
		Project TE77 samples	Edition Sheet 1 / 1

6 1 5 1 4 3 1 2 1 1