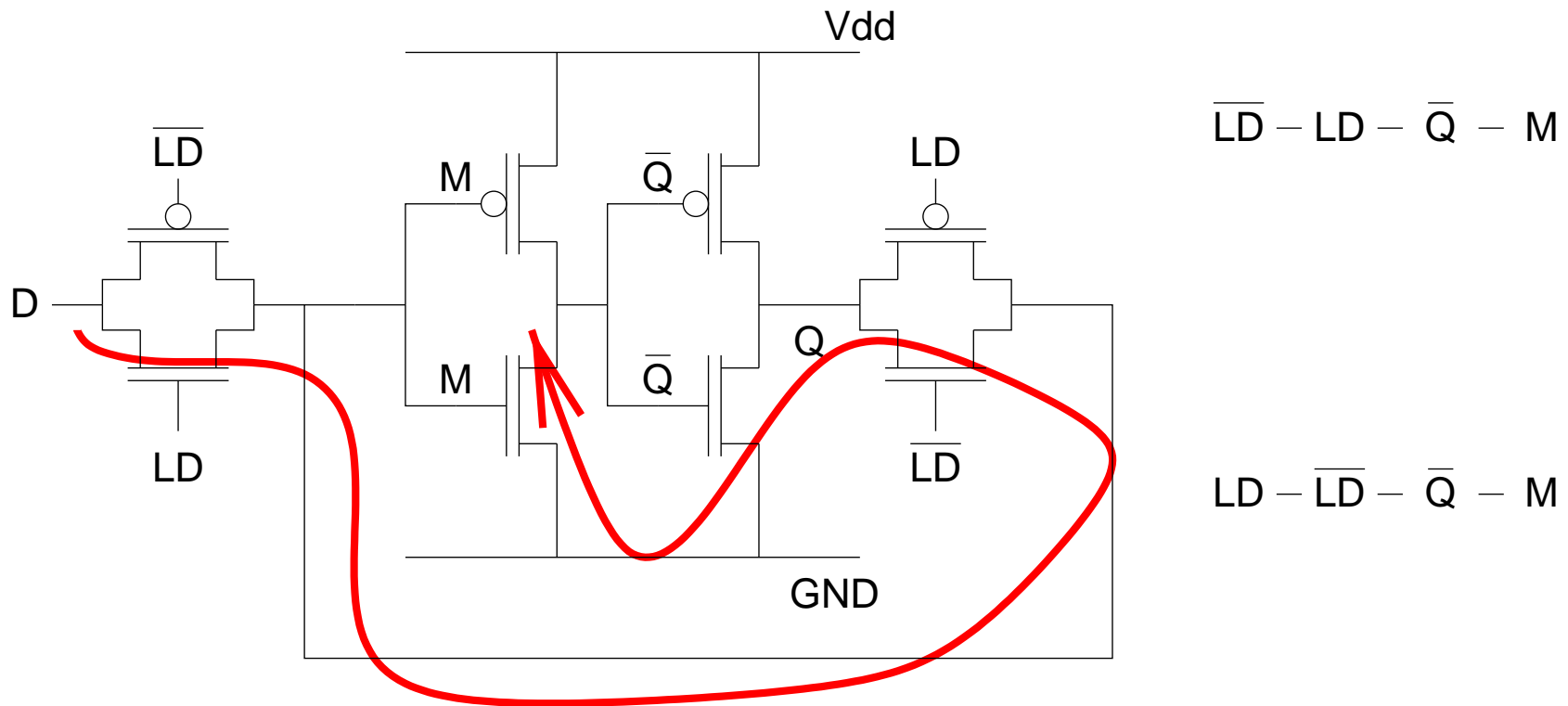


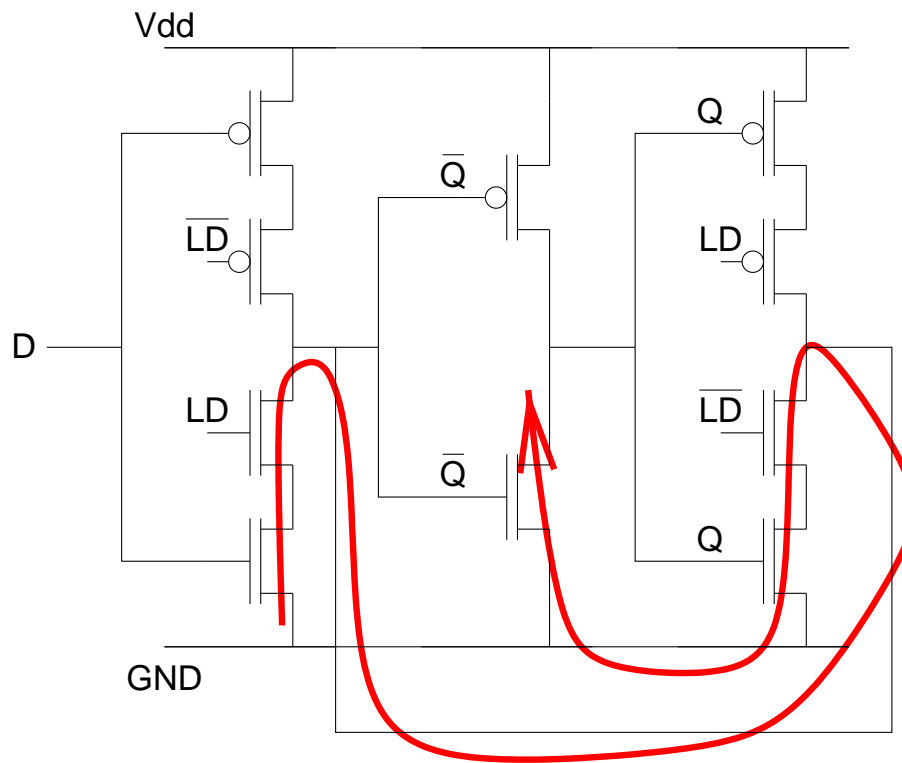
Storage elements

- Euler paths for transmission gate latch



Storage elements

- Euler paths for tristate inverter based latch

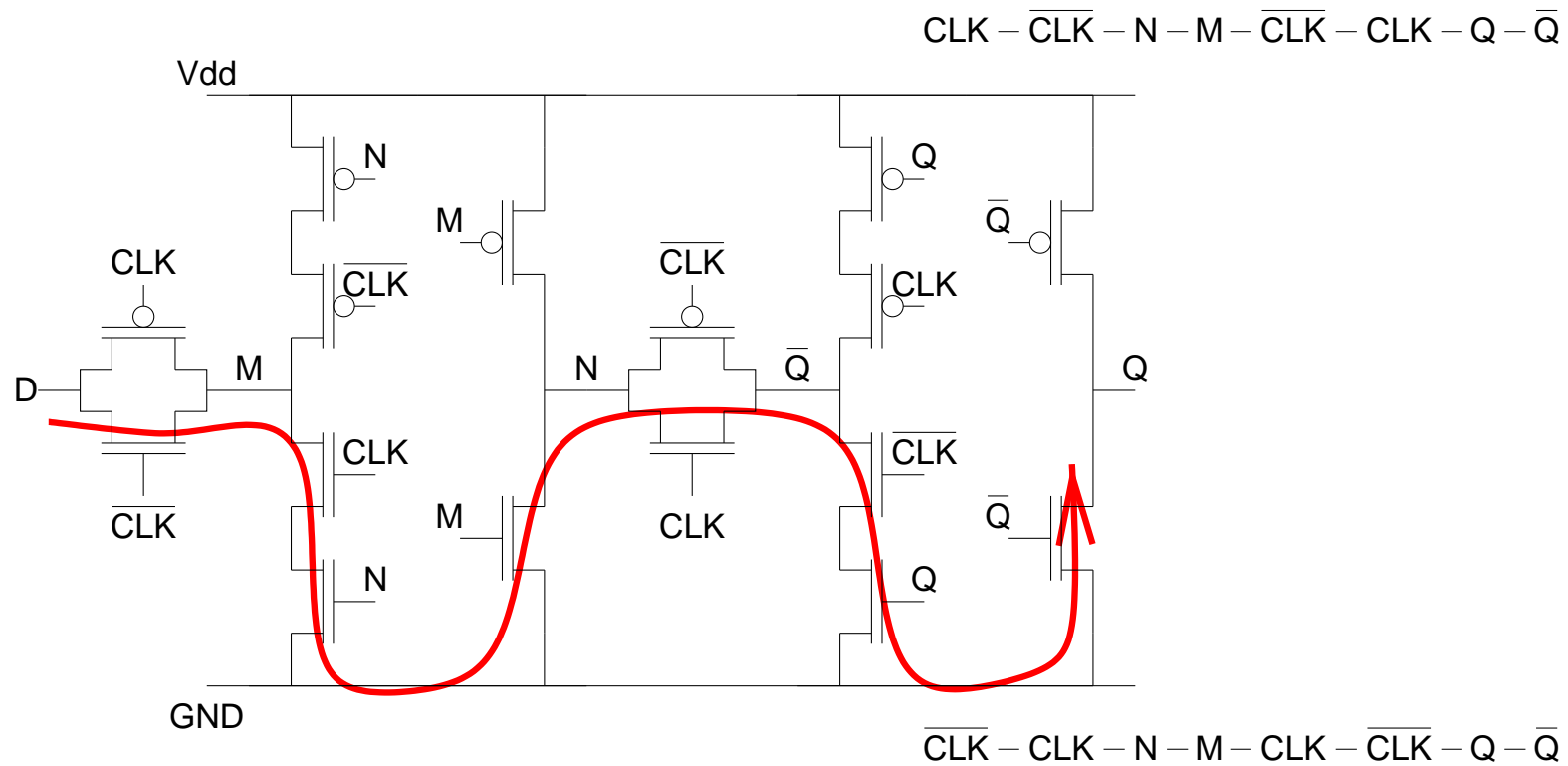


$D - \overline{LD} - LD - Q - \overline{Q}$

$D - LD - \overline{LD} - Q - \overline{Q}$

Storage elements

- Euler paths for master slave D type



Storage elements

- Partial Euler paths for edge triggered D type

