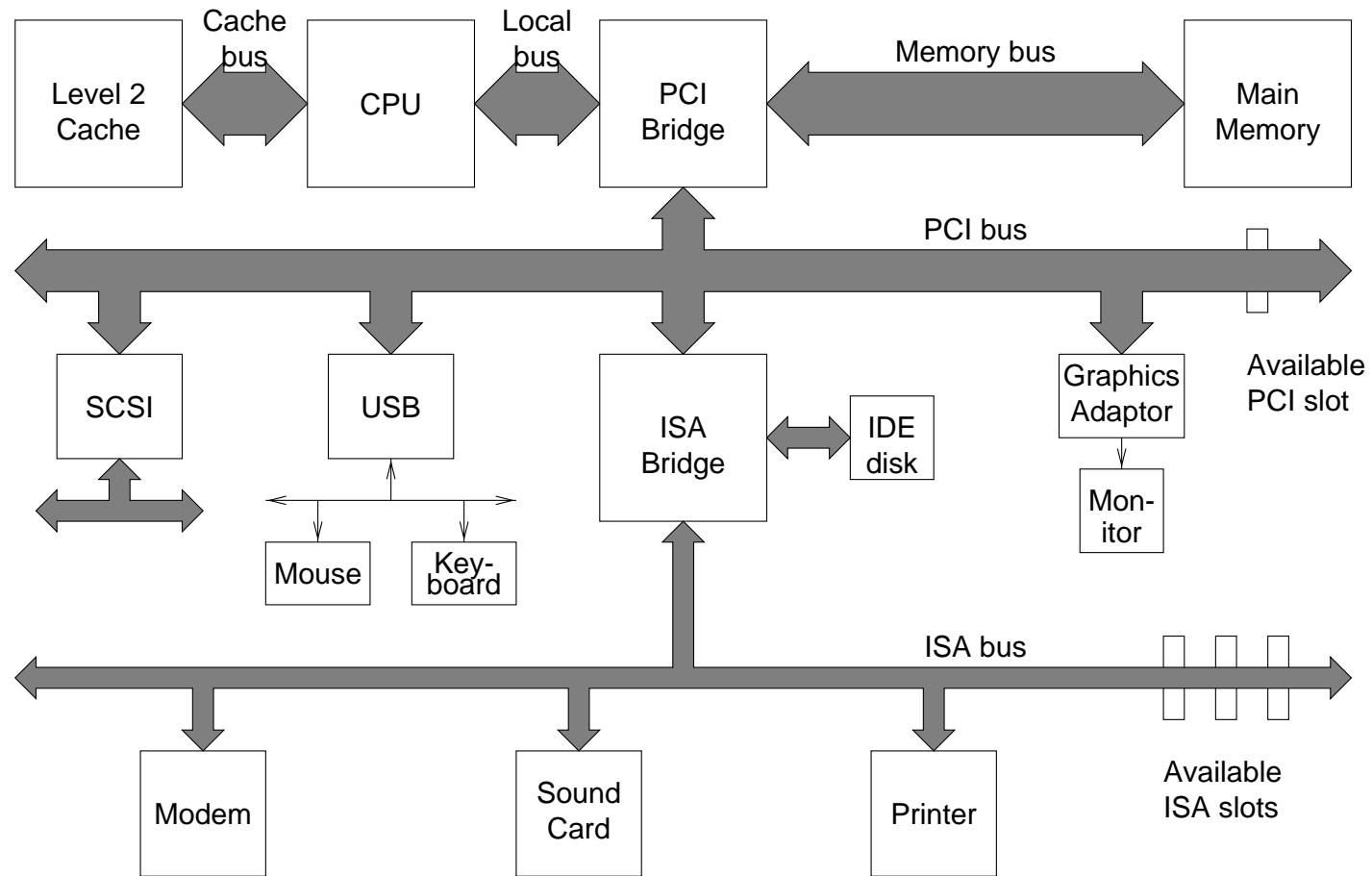


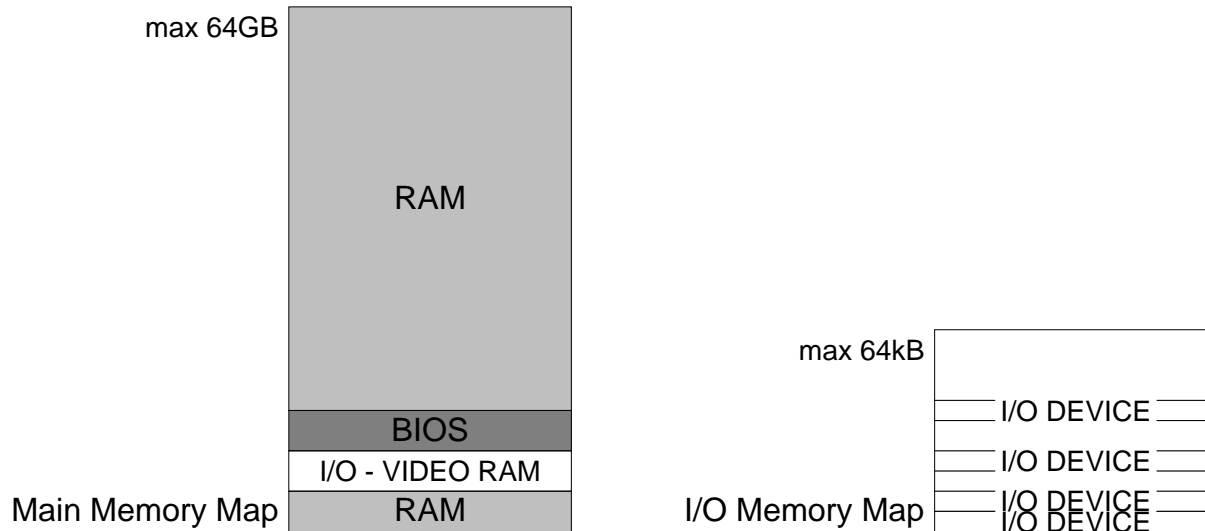
PC Architecture

- Example PC multi-bus architecture



PC Interfacing

- PC Memory Map

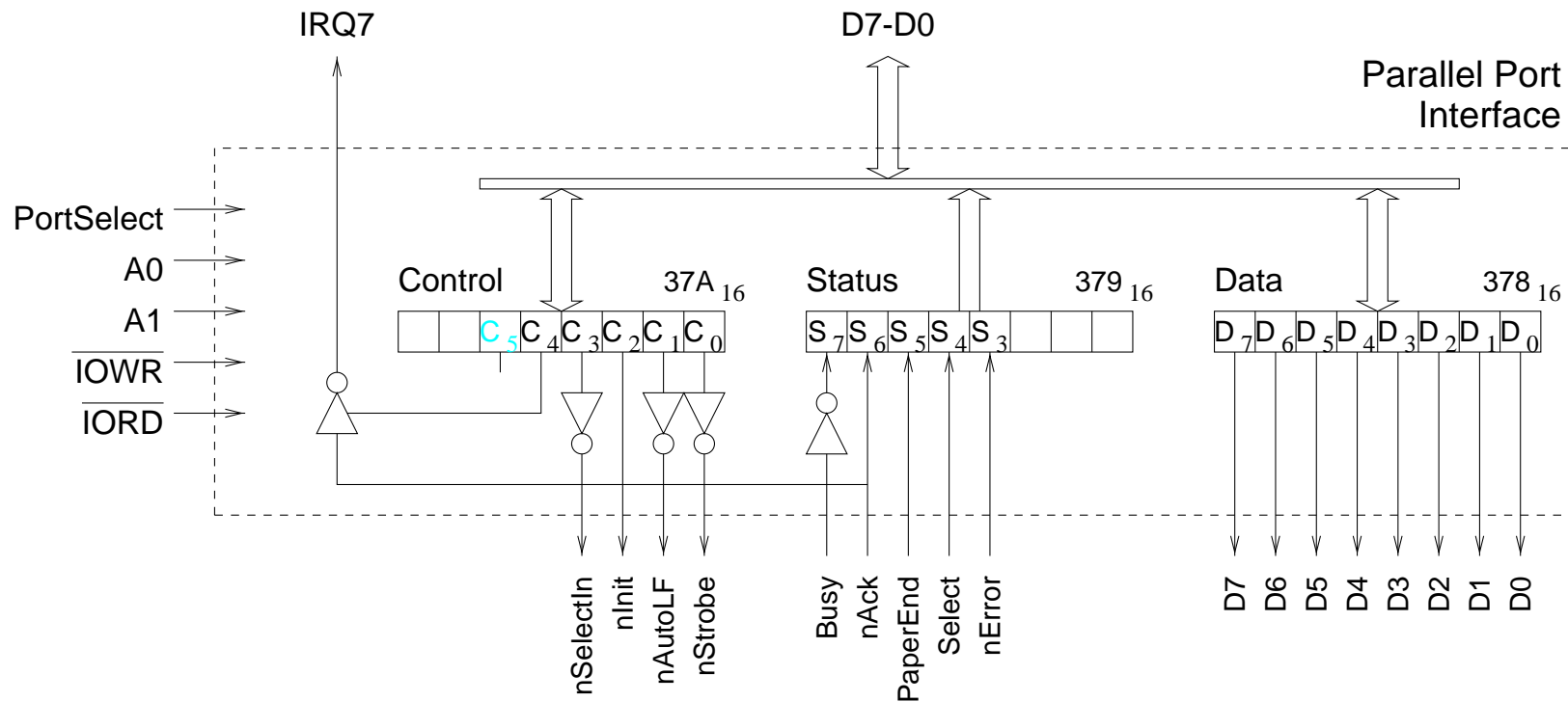


x86 processors support

- memory mapped I/O
used for video ram
- a separate I/O address space
used for most I/O devices
accessed via special instructions; IN OUT

PC Interfacing

- Parallel Port – for centronics printers
 - 5 inputs
 - 8 + 4 outputs
 - IRQ7 interrupt
 - *can be disabled*



Lift Interface Board

- Limited I/O resources
 - multiplexor allows us to query any input
 - AND gate allows interrupt if any call button is active

